

Liquid Pumps **SERIES 2000**

MODEL	# SP2210 (1/8" FNPT PORT) # SP2410 (1/4" FNPT PORT)	# SP2215 (1/8" FNPT PORT) # SP2415 (1/4" FNPT PORT)	# SP2220 (1/8" FNPT PORT) # SP2420 (1/4" FNPT PORT)
--------------	--	--	--

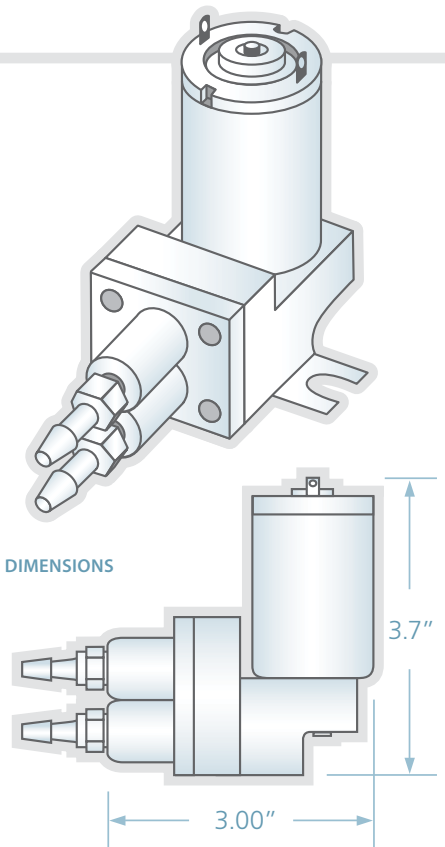
FEATURES

Pump Design	Self-priming, single diaphragm positive displacement, runs wet or dry	Self-priming, single diaphragm positive displacement, runs wet or dry	Self-priming, single diaphragm positive displacement, runs wet or dry
Ports	Choice of 1/8" or 1/4" FNPT	Choice of 1/8" or 1/4" FNPT	Choice of 1/8" or 1/4" FNPT
Valves	Spring-loaded poppet design	Spring-loaded poppet design	Spring-loaded poppet design
Voltage	12-24 VDC	12-24 VDC	12-24 VDC
Power Consumption	~300-500 mA	~300-600 mA	~300-700 mA
Max. Start Up Consumption	1500 mA	1500 mA	1500 mA
Electrical Connections	Spade type terminals	Spade type terminals	Spade type terminals
Max. Output Pressure	40 PSI @ 12 VDC (2.8 Bar) 60 PSI @ 24 VDC (4.1 Bar)	26 PSI @ 12 VDC (1.8 Bar) 60 PSI @ 24 VDC (4.1 Bar)	19 PSI @ 12 VDC (1.3 Bar) 45 PSI @ 24 VDC (3.1 Bar)
Max. Flow Rate	8.3 GPH @ 12 VDC (31.5 LPH)	11.5 GPH @ 12 VDC (43.5 LPH)	15.1 GPH @ 12 VDC (57.2 LPH)
Vacuum	18 inHg wet, 3.6 inHg dry @12 VDC (457 mmHg wet, 91 mmHg dry)	21 inHg wet, 5.3 inHg dry @12 VDC (533 mmHg wet, 135 mmHg dry)	22 inHg wet, 8.6 inHg dry @12 VDC (559 mmHg wet, 218 mmHg dry)
Motor	Permanent magnet DC	Permanent magnet DC	Permanent magnet DC
Size	1.66" W x 2.78" L x 3.7" H (42.16 x 70.61 x 93.98 mm)	1.66" W x 2.78" L x 3.7" H (42.16 x 70.61 x 93.98 mm)	1.66" W x 2.78" L x 3.7" H (42.16 x 70.61 x 93.98 mm)
Weight	21 oz. (595 g)	21 oz. (595 g)	21 oz. (595 g)
Temperature Range	220°F (104°C) maximum	220°F (104°C) maximum	220°F (104°C) maximum
Duty Cycle	1000 hours continuous duty @ 12 VDC*	1000 hours continuous duty @ 12 VDC*	1000 hours continuous duty @ 12 VDC*

MATERIALS

Pump Body	Nylon 6	Nylon 6	Nylon 6
O-rings	Buna-N, Ethylene-Propylene, Silicone, Viton®	Buna-N, Ethylene-Propylene, Silicone, Viton®	Buna-N, Ethylene-Propylene, Silicone, Viton®
Diaphragms	Teflon®	Teflon®	Teflon®
Springs	316 stainless steel or Hastelloy-C**	316 stainless steel or Hastelloy-C**	316 stainless steel or Hastelloy-C**
Valves	Molded as part of the body	Molded as part of the body	Molded as part of the body

All standard materials are FDA compliant
*Lifetime will vary depending on usage
**Hastelloy-C only available with 1/4" FNPT ports



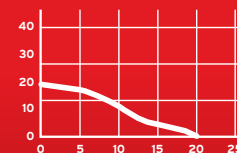
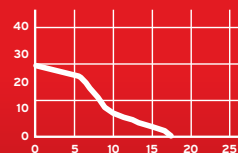
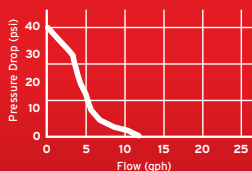
DIMENSIONS

An ISO Certified Company

Smart Products, Inc.
675 Jarvis Dr., Morgan Hill, CA 95037 USA
ph: 408-776-3035 • fax: 408-776-3186
e-mail: sales@smartproducts.com

Visit us at www.smartproducts.com or call **1-800-338-0404** for more information

WATER FLOW CHARTS



Our products are subject to continuous improvement. To achieve this goal, Smart Products reserves the right to change features, processes, materials, testing and other specifications as necessary. All plastic body material recommendations are based on standard corrosion resistant and compatibility guides. Smart Products strongly recommends that customers test products for each application-specific use.

Buyer is urged to test and investigate the compatibility of any substance used with our products prior to actual use. Seller will not be responsible for the failure of Buyer to thoroughly test and investigate the compatibility of the substances used with our products and the fitness of the products for its particular use or application.

©2012 Smart Products, Inc. All rights reserved. Viton is a registered trademark of DuPont Dow Elastomers. Teflon is a registered trademark of DuPont Corp.